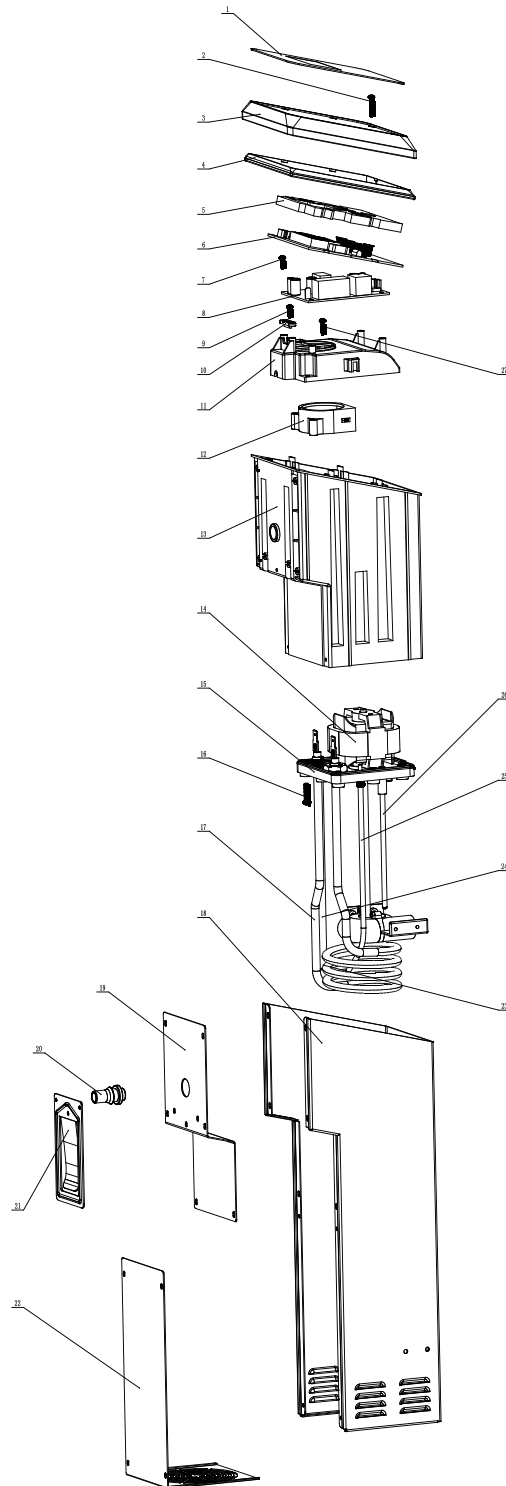


Parts Breakdown

Model CE-CN-1500 47046



Parts Breakdown

Model CE-CN-1500 47046

Item No.	Description	Position	Item No.	Description	Position	Item No.	Description	Position
AJ940	Display Screen for 47046	1	AJ949	Fan Bracket for 47046	11	AJ958	Fixing Plate for 47046	21
AJ941	Coarse-Thread Screws for 47046	2, 16	AJ950	Fan for 47046	12	AJ959	Removable Cover for 47046	22
AJ942	Control Panel for 47046	3	AJ951	Body for 47046	13	AJ960	Thermostat Fixing Clip for 47046	23
AJ943	Upper Sealing Silicon for 47046	4	AJ952	Motor Component for 47046	14	AJ961	Thermal Link for 47046	24
AJ944	Moisture-Proof Plate for 47046	5	AJ953	Motor Fixing Bracket for 47046	15	AJ962	Water Temperature Sensor for 47046	25
AJ945	Control PCB for 47046	6	AJ954	Heating Element for 47046	17	AJ963	Water Level Electrode for 47046	26
AJ946	Coarse-Thread Screws for 47046	7, 9	AJ955	Stainless Steel Body for 47046	18	AJ964	Coarse-Thread Screws for 47046	27
AJ947	Main PCB for 47046	8	AJ956	Removable Cover for 47046	19			
AJ948	Cord Press Board for 47046	10	AJ957	Power Supply Cord Connector for 47046	20			